

# M60/22

## HEAVY VEHICLE JACKS

### M60/22

Mammut Air / Hydraulic heavy vehicle jacks are engineered and manufactured to offer all customers a lifting solution that is reliable, safe and easy to use.

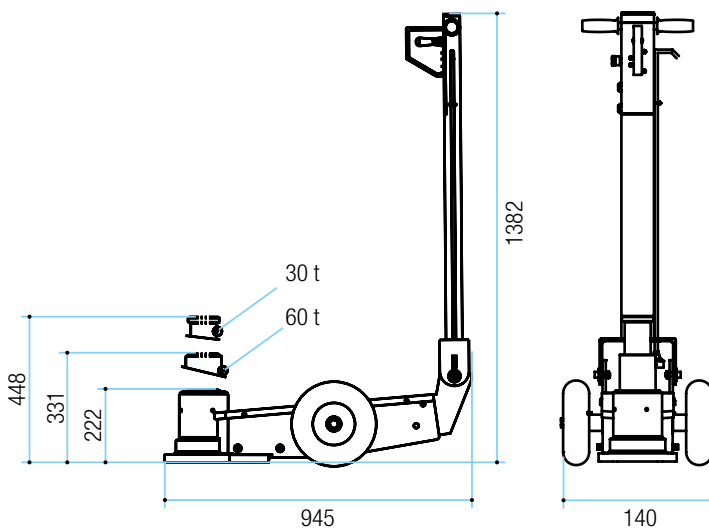
- Lightweight, quiet, compact and easy to manoeuvre.
- Remote control available for extra safety.
- Folding handle.
- Wide range of models and capacities from 60 t to 150 t.
- Designed for tough Australian conditions.
- Pneumatic tires for easy operation.
- Internal check valves to prevent unintentional decent.

### TECHNICAL DATA

	M60/22
Capacity	60/30 t / 66.1/33.1 ton
Net weight	93 kg / 205 lb
Working air pressure	10 - 12 bar / 145 - 174 psi
Air consumption	600 nl/min
Max stroke	448 mm / 17.6 in
Min. height	222 mm / 8.7 in
Number of pistons	2
Pistons stroke	226 mm / 8.8 in

### ACCESSORIES

#	Accessories
M4096	Remote Control
M4933	Extension Holder R
M4934	Extension Holder L
M4937	Extension 150 mm
M4938	Extension 250 mm
M4939	Extension 300 mm
A04492	Tilt Saddle





# M60/22

## HEAVY VEHICLE JACKS

